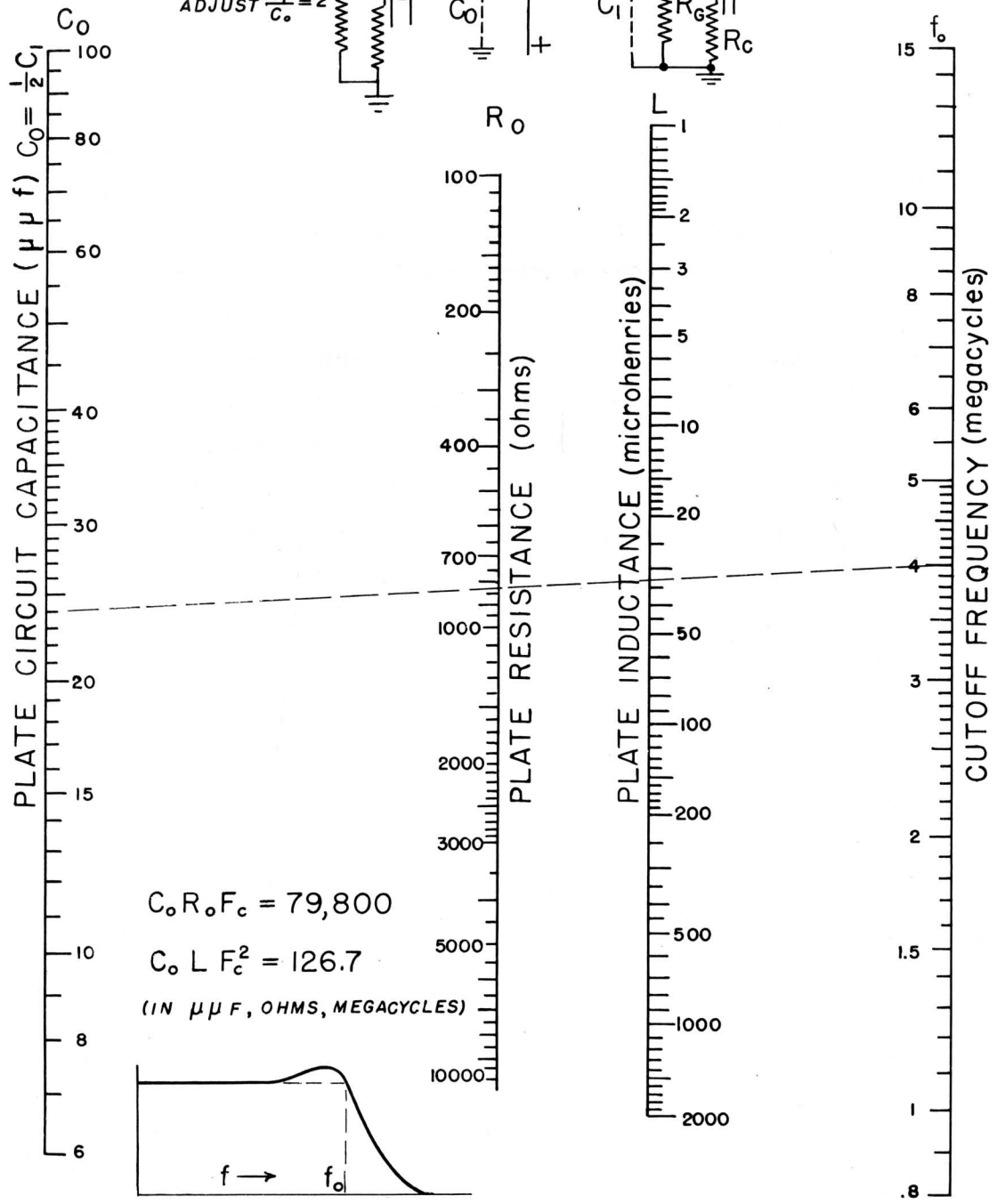
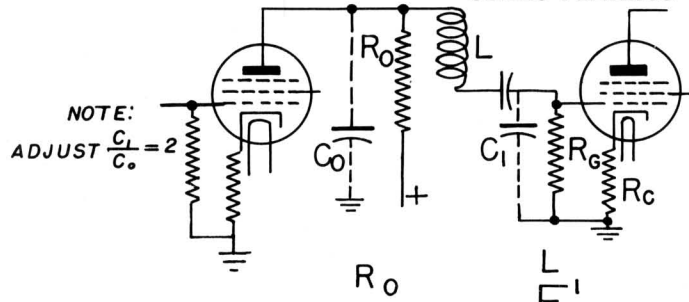
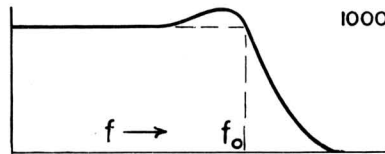


## WIDEBAND AMPLIFIER RANGE EXTENSION

### SERIES-PEAKING METHOD



$C_o R_o F_c = 79,800$   
 $C_o L F_c^2 = 126.7$   
 (IN  $\mu\mu F$ , OHMS, MEGACYCLES)



**WIDEBAND AMPLIFIER RANGE EXTENSION**  
**SERIES-PEAKING METHOD**

The extension of the upper frequency range of a wide-band amplifier by the series-peaking method, consists of adjusting relation  $C_1/C_0$  to equal 2, whereupon the values of  $R_0$  and  $L$  are indicated by a line from  $C_0$  scale to  $F_0$  scale. Latter value refers to frequency above resonance hump where gain is equal to low-frequency gain, as shown on response curve.